

1 2 3 4 5 6

A

A

B

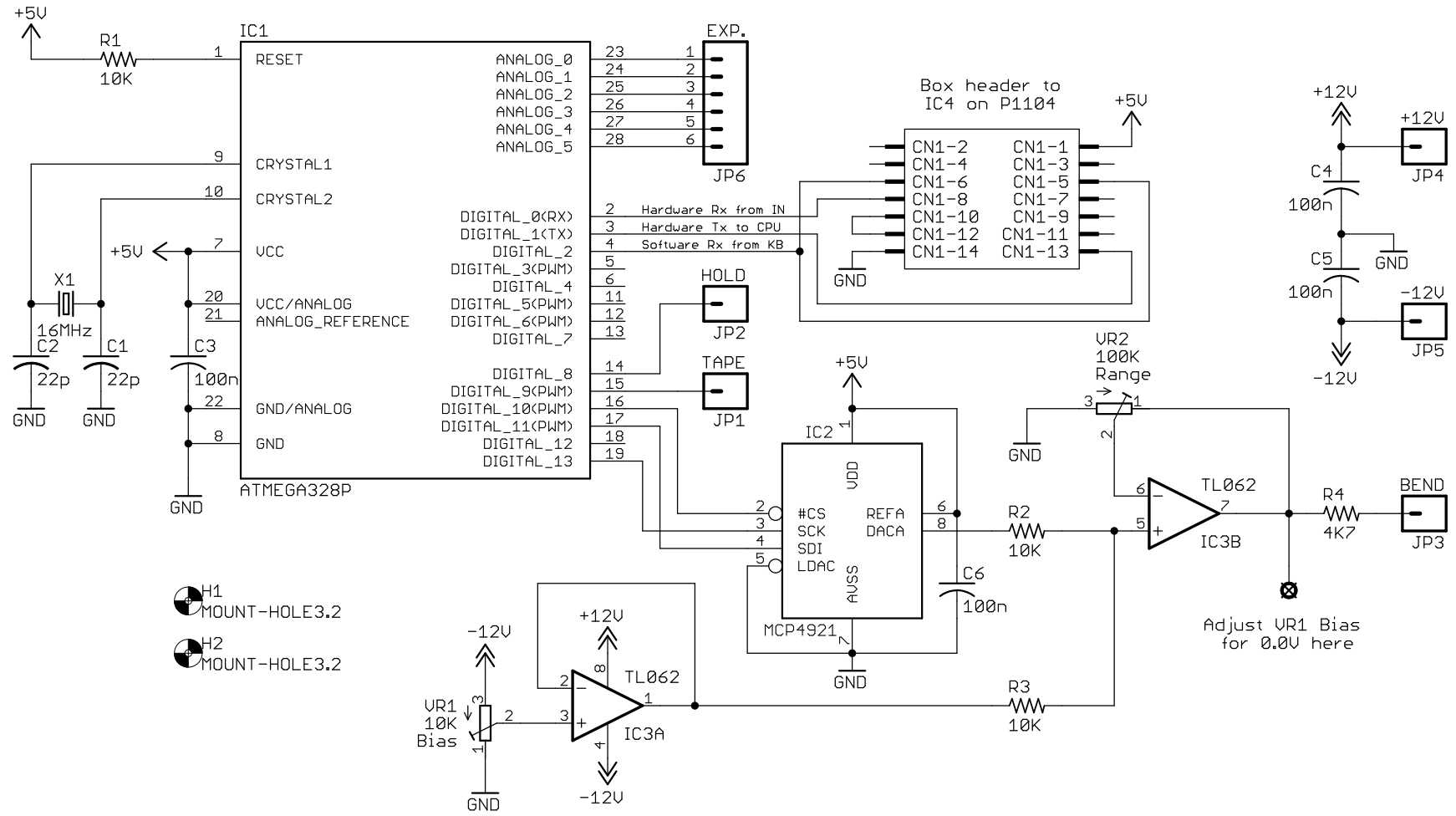
B

C

C

D

D



H1 MOUNT-HOLE3.2  
H2 MOUNT-HOLE3.2

Adjust VR1 Bias for 0.0V here

<h1 style="font-size: 2em;">hka design</h1>	Bit One MIDI Upgrade
	Revision 1C
	22/05/2020 11:10
	Sheet: 1/1

HKA

1 2 3 4 5 6