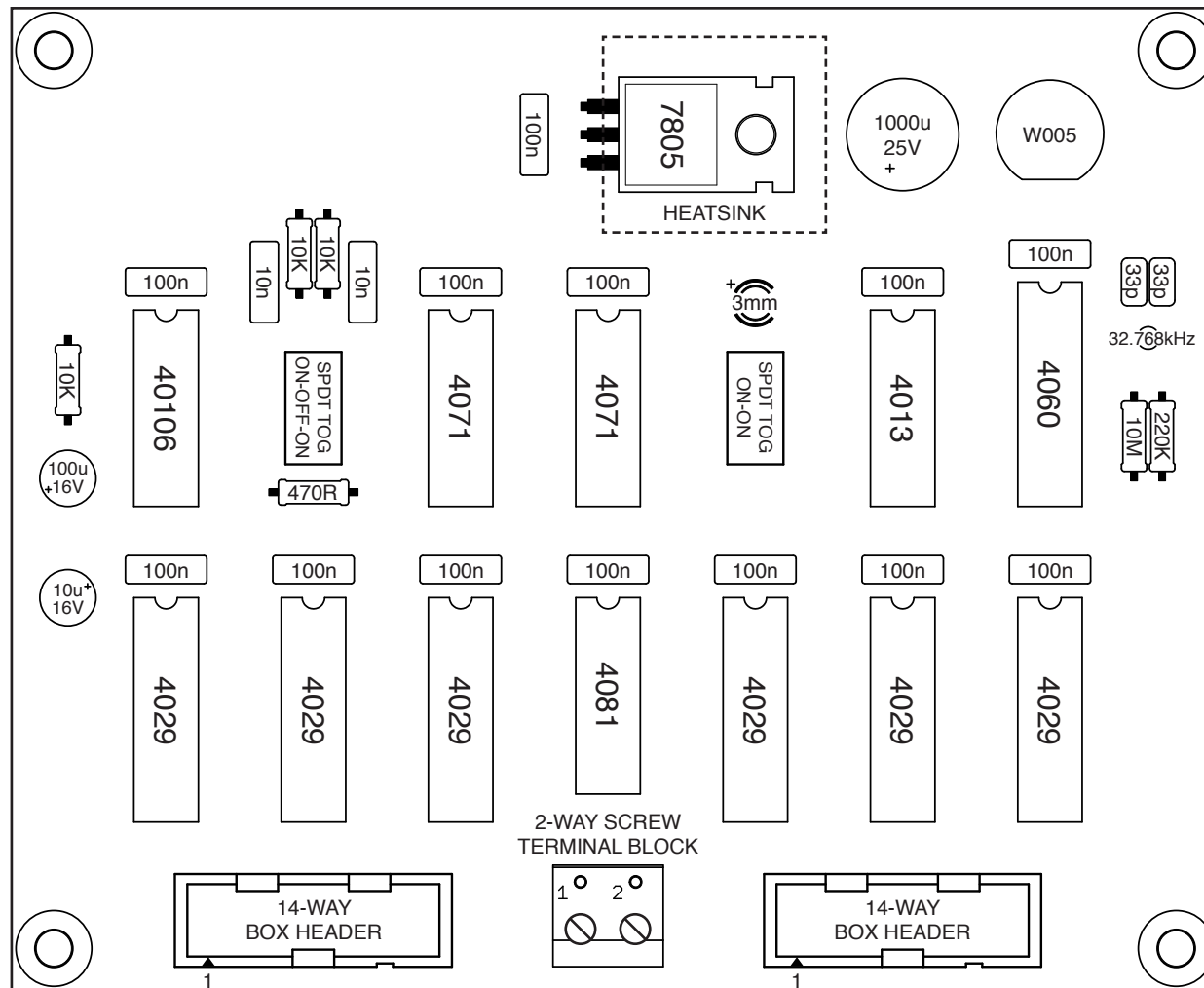


cmos clock

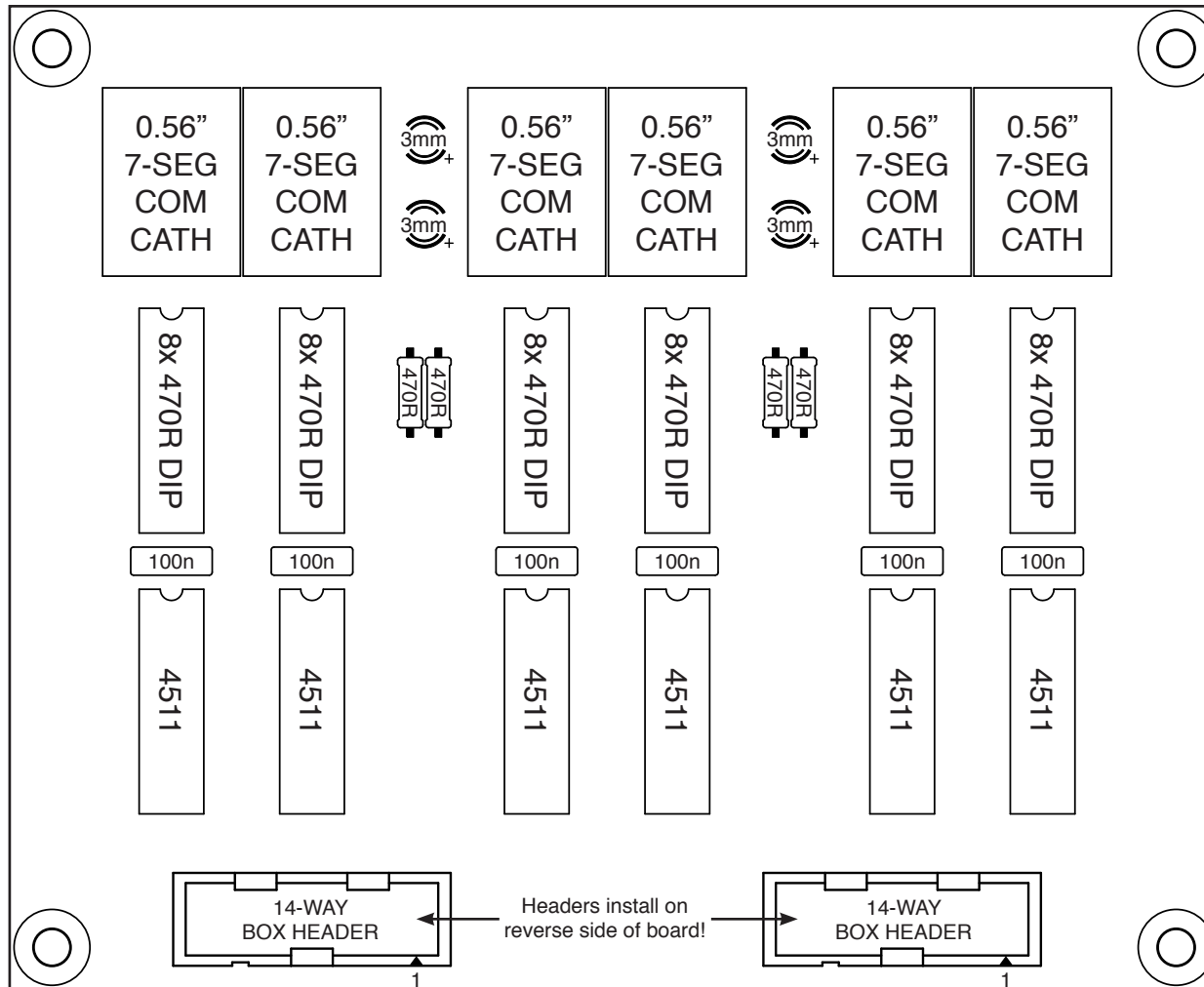
counter board



Number	Part	Qty
IC1 - IC6	CD4029	6
IC7	CD4081	1
IC8, IC10	CD4071	2
IC9	CD40106	1
IC11	CD4060	1
IC12	CD4013	1
VR1	7805 (w/ heatsink)	1
C17, C18	33p ceramic	2
C13, C14	10n ceramic	2
C1 - C8, C10, C12, C16, ...	100n ceramic	13
C19, C20	...	
C9	1000u 25V electrolytic	1
C15	100u 16V electrolytic	1
C11	10u 16V electrolytic	1
R6	470R 0.25W	1
R1, R2, R3	10K 0.25W	3
R5	220K 0.25W	1
R4	10M 0.25W	1
BR1	W005 bridge rectifier	1
LED1	3mm LED	1
X1	32.768kHz watch crystal	1
S1	Mini toggle SPDT on-off	1
S2	Mini toggle SPDT on-off-on	1
CN1, CN2	14-way box header	2
CN3	2-way screw terminal block (5mm lead spacing)	1

cmos clock

display board



Number	Part	Qty
IC1 - IC6	CD4511	6
C1 - C6	100n ceramic	6
R1 - R4	470R 0.25W	4
RN1 - RN6	8x 470R DIP	6
LED1 - LED4	3mm LED	4
DS1 - DS6	0.56" 7-seg common cathode	6
CN1, CN2	14-way box header	2